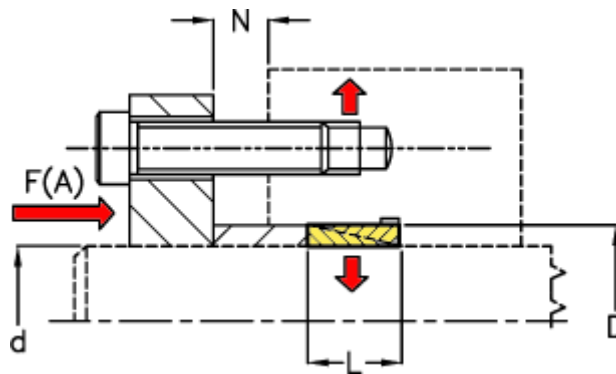


Article number: 433000009

Description: Rota-fix shaft-hub connection C 9x12

Note: Not self centering. Small radial dimensions

Measures



d mm = 9

D mm = 12

F(A) kN = 15

Fit tolerance = Aksel \varnothing ? 38 h6, Aksel \varnothing > 38 h8, Nav \varnothing ? 38 H7, Nav > \varnothing 38 H8

F kN torque = 1.6

L = 4.5

N1 = 3

N2 = 3

N3

N4

P N/mm² surface press

Surface roughness

T N m torque